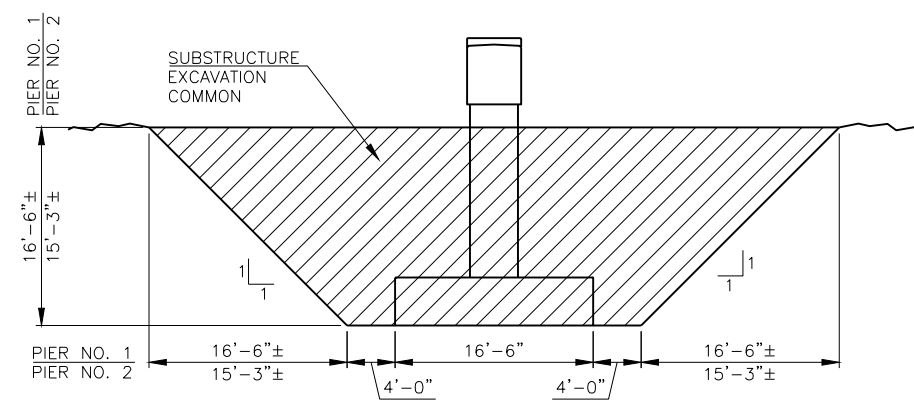


SUBSTRUCTURE EXCAVATION COMMON

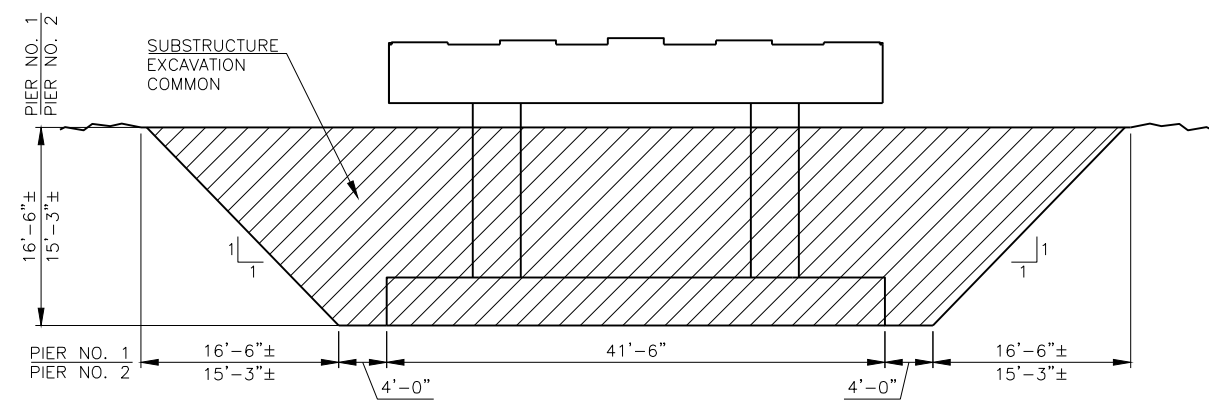
NOTE:
FOR SUBSTRUCTURE EXCAVATION AT ABUTMENTS AND PIPE UNDERDRAIN DETAILS, SEE STD. B40-I-ABUT-MISC.

NOTE:
THE CONTRACTOR WILL INCLUDE ALL COST OF TEMPORARY RETAINING STRUCTURES AND TEMPORARY WATER CONTROL SYSTEMS NECESSARY TO CONSTRUCT THE BRIDGE PIERS, INCLUDING EQUIPMENT, MATERIALS, LABOR, AND INCIDENTALS, IN THE CONTRACT UNIT PRICE BID FOR "SUBSTRUCTURE EXCAVATION COMMON". ANY TEMPORARY RETAINING STRUCTURES AND TEMPORARY WATER CONTROL SYSTEMS WILL BE PROVIDED IN ACCORDANCE WITH SECTION 502 OF THE SPECIFICATIONS.

SUBSTRUCTURE EXCAVATION PLAN



SECTION A-A



SECTION B-B

DESIGN	J.W.H.	SH34 OVER S. PERSIMMON CREEK	WOODWARD COUNTY
DRAWN	R.A.P.	BRIDGE A	
CHECKED	J.W.H.	SUBSTRUCTURE EXCAVATION AT PIERS	
APPROV.	T.A.C.		
SQUAD	CEC		
		JOB PIECE NO. 28825(04)	SHEET NO. 25